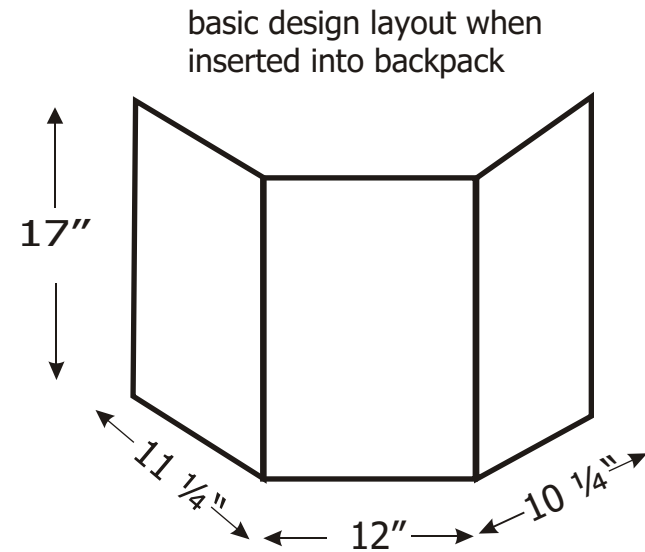
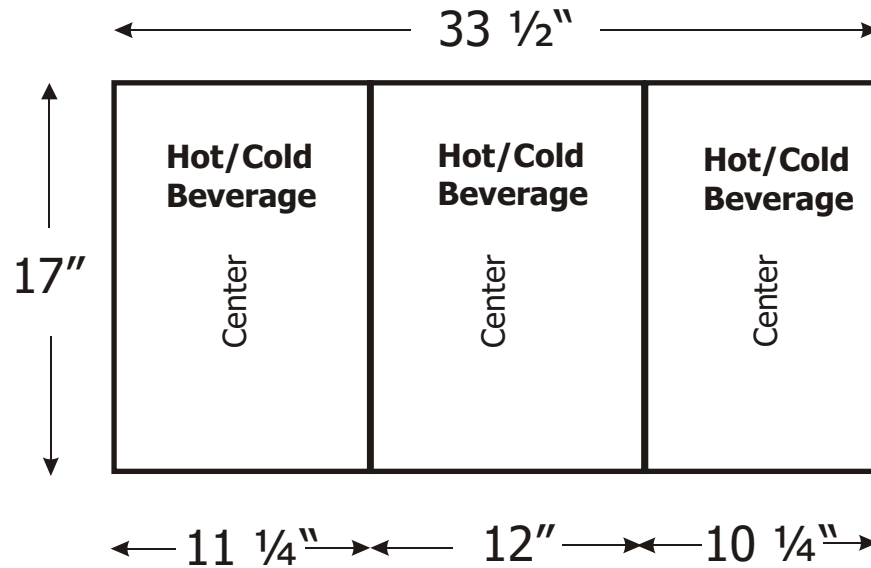




Sign Measurements Keg Club - 710ml Can & Bottle Backpack



* Important Notes

- Sign can be continuous, meaning there does not need to be cuts or folds.
- laminated or coating is important due to moisture
- The above measurements are exact meaning that the sign should be no larger.
- Leave a one inch border around the sign because this gets covered up when inserted
- Remember the sign will be 3 sided when inserted into backpack, keep this in mind when designing graphics
- The sign area covers almost 90% of the total backpack, this gives you lots of promotional space
- The left side is 1 inch (2.5 cm) wider than the right side due to the removable velcro strip
- Be sure to have words or logos on all 3 sides for the best exposure.