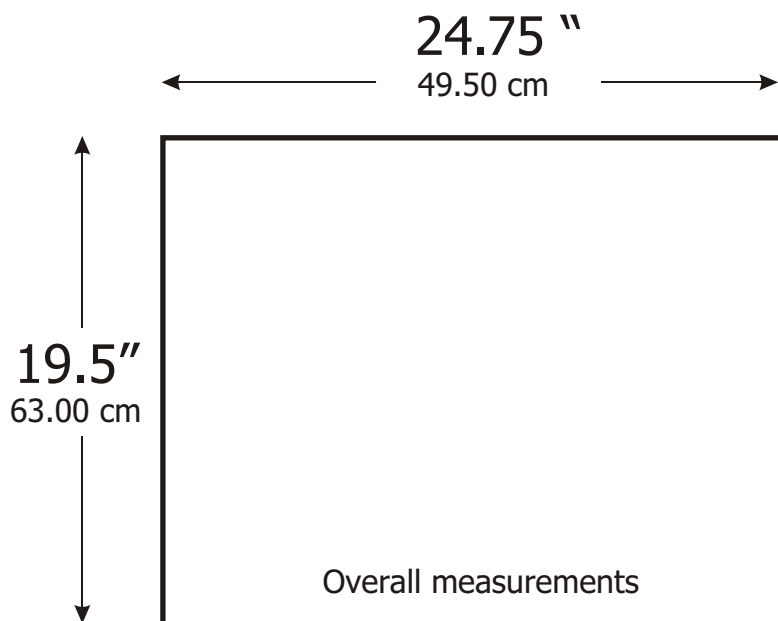


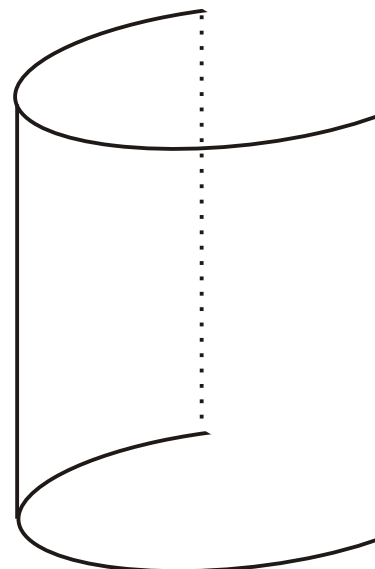


Sign Measurements

Keg Club -Non-Carbonated - 3 gallon (11.4 litre) keg Backpack



Shape of the sign when inserted into backpack



Top view of sign shape

* Note

- Sign can be continuous, meaning there does not need to be cuts or folds.
- laminated or coating is important due to moisture
- The above measurements are exact meaning that the sign should be no larger.
- Leave a one inch border around the sign because this gets covered up when inserted
- Remember the sign will be curved when inserted into backpack, keep this in mind when designing graphics
- The sign area covers almost 90% of the total backpack, this gives you lots of promotional space

For questions or comments contact; KEG CLUB at www.kegclub.com Telephone 519 751 7265 Fax 519 753 5186